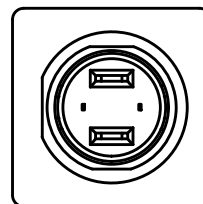
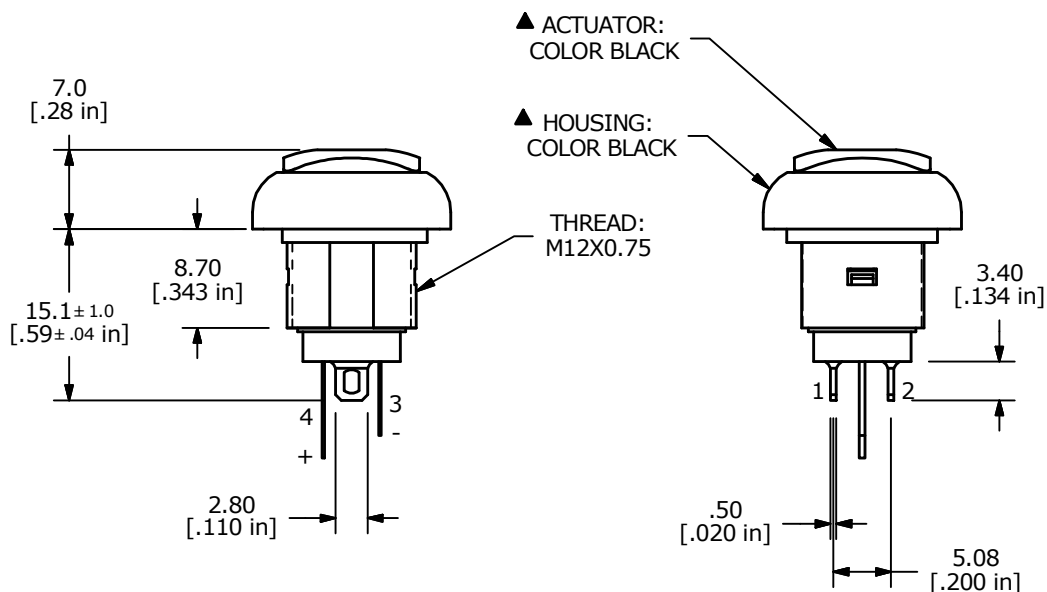


LED PARAMETER	FORWARD CURRENT	FORWARD VOLTAGE @ 20mA	LUMINOUS INTENSITY
UNITS	mA	V	mcd
SUPER RED	R 20	2.0 - 2.6	90
SUPER GREEN	G 20	2.0 - 2.6	90

- NOTE:
- ALL DIMENSIONS IN MM [INCH]
 - GENERAL TOLERANCE: X.X=±0.4
X.XX=±0.25
 - TERMINAL NUMBERS FOR REF ONLY
 - CIRCUIT: SPST OFF-MOMENTARY ON
 - CONTACT MATERIAL: Gold OVER SILVER
 - RATING: 500mA @ 48 VAC
200mA @ 50 VDC
200mA @ 250 VAC
 - ELECTRIC LIFE: 500,000 CYCLES AT FULL LOAD
 - CONTACT RESISTANCE: 50 MILLIOHM MAX. (INITIAL)
 - INSULATION RESISTANCE: 1,000 MEGA-OHM MIN. @ 500VDC.
 - DIELECTRIC STRENGTH: 1,500 VAC FOR 1 MINUTE.
 - OPERATING FORCE: 350 gf +/- 150 gf
 - OPERATING TEMPERATURE: -30°C TO +85°C.
 - CONTACT BOUNCE: 10ms MAX.
 - TRAVEL: 1.5±0.25MM
 - PANEL THICKNESS RANGE: 1.5 - 4.0 mm.
 - ▲ DENOTES CRITICAL PARAMETER.
 - 2011/65/EU (ROHS) COMPLIANT
 - MAX TORQUE APPLIED TO MOUNTING NUT: 1.5Nm
 - HARDWARE INCLUDED:
 - T081101 LOCK WASHER (1)
 - T081102 HEX NUT (1)
 - T081103 O-RING (1)
 - SEAL RATING: IP67 AT THE FRONT PANEL



D	22535	UPDATED LED SPECIFICATION CHART	10/6/16	MJR
C	21600	CHANGE SEAL RATING FROM IP65 TO IP67	10/1/14	EBP
REV	PCR NO	DESCRIPTION	DATE	BY

E-SWITCH®				
TITLE RP8400B2M1CEBLKBLKREDGRN				
SCALE	DATE	DR	DWG	REV
3:2	9/12/2012	EBP	ST084011	D

THE INFORMATION CONTAINED IN THIS DOCUMENT IS PROPRIETARY TO E-SWITCH AND IS NOT TO BE COPIED OR TRANSFERRED